



Plantation Table Range.

The Plantation family of desking & tables in solid Oak, brings the natural beauty of timber inside the office, and blends it with modern manufacturing methods & materials to ensure longevity. True to its origin in nature, Plantation can adapt easily, being suitable for individual



Features

Melamine - 25 mm E1 grade substrate finished in studio white with matching 2mm PVC edg

25mm adjustable foot with leveling adjustment

Legs constructed with black powder coat top housing and natural finish solid oak.

All timber is sourced from an FSC certified forest, satisfying your office furniture needs without compromising sustainability.

Black powdercoated rails and connectors for extra strength and stability

Worktop heights: 450mm Coffee Table. 720 mm Meeting Tables. 1050mm Bar Leaner.

Fast Assembly - Comes mostly assembled - less than 5 minutes per frame install time.

Colour Options

Stocked Options



Frame



Plantation Coffee Table 3 Leg



Plantation Coffee Table 4 Leg



Plantation Meeting Table 3 Leg



Plantation Meeting Table 4 Leg



Plantation Meeting Table 4 Leg with full frame



Plantation Meeting Table 6 Leg with full frame x 2 Worktops

Coffee Table

- Ø 600 mm 3 Leg Standard
- 900 x 600 mm 4 Leg Standard
- 1200 x 600 mm 4 Leg Standard

3 Leg Meeting Table

Ø 900 mm

4 Leg Meeting Table

Ø 1050 mm
Ø 1200 mm

4 Leg Meeting Table (Full Frame)

1200 x 600 mm	1800 x 600 mm	2100 x 900 mm
1200 x 750 mm	1800 x 750 mm	2400 x 1200 mm
1500 x 600 mm	1800 x 900 mm	
1500 x 750 mm	1800 x 1200 mm	

4 Leg Meeting Table (Full Frame x 2 worktops)

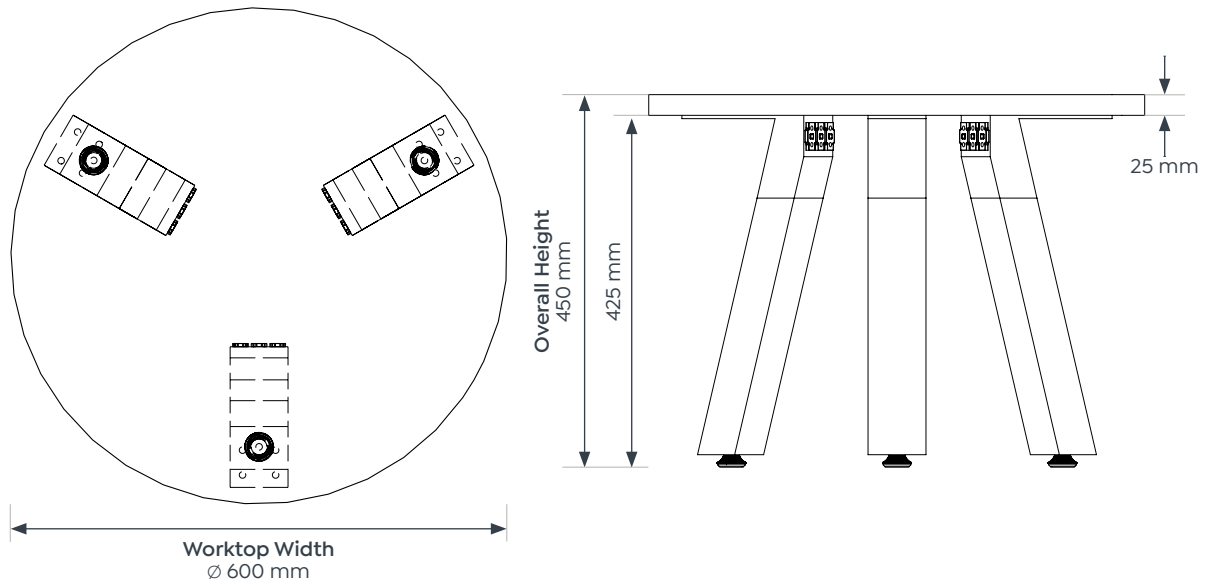
3600 x 1200 mm
4800 x 1200 mm



Plantation Table Range.

Dimensions

Plantation Coffee Table - 3 Leg



Plantation Meeting Table - 4 Leg

