



Plantation Desking Range.

The Plantation family of desking & tables in solid Oak, brings the natural beauty of timber inside the office, and blends it with modern manufacturing methods & materials to ensure longevity. True to its origin in nature, Plantation can adapt easily, being suitable for individual or group space, focused or social.



Features

Commercial grade 25mm melamine worktop with super low emissions grade for a healthier workspace

Black powdercoated rails and connectors for extra strength and stability.

Solid oak leg mimics textures of the outdoors to inspire a natural look and feel in your workplace.

Fast assembly - Comes mostly assembled, less than 5 minutes per frame assembly time.

All timber is sourced from an FSC certified forest

Supplied in individual components to allow for a wider range of variations in length and width.



Plantation Single Sided Desk



Plantation Double Sided Desk



Plantation 90° Workstation

Single Sided Desk

1200 x 750 mm	1600 x 800 mm
1500 x 750 mm	1800 x 750 mm
1500 x 800 mm	1800 x 800 mm
1600 x 750 mm	1800 x 900 mm

Double Sided Desk

2 x 1200 x 600 mm	2 x 1500 x 800 mm	2 x 1800 x 600 mm
2 x 1200 x 750 mm	2 x 1600 x 600 mm	2 x 1800 x 750 mm
2 x 1500 x 600 mm	2 x 1600 x 750 mm	2 x 1800 x 800 mm
2 x 1500 x 750 mm	2 x 1600 x 800 mm	

120° Single User Desk

1800 x 1800 X 750 mm	1800 x 1800 X 600 mm
	1800 x 1800 X 750 mm



Plantation Desking Range.

Optional Upgrades

50mm Studio screens

50mm Studio screens with intergrated cable duct

10, 20 & 30mm AcoustiQ screens

Cable trays - system includes desk to desk bridges, power/ data mounting points (inside the tray or on the vertical face) and cable snakes to the desktop



Double Sided Desking with AcoustiQ Dark Peacock Green Screen



90° Single User Workspace with AcoustiQ Blue Modesty Panel

Finishing Selection

Stocked Options



Requested Options



Frame Options



Studio50

Screens are Australian made



AcoustiQ

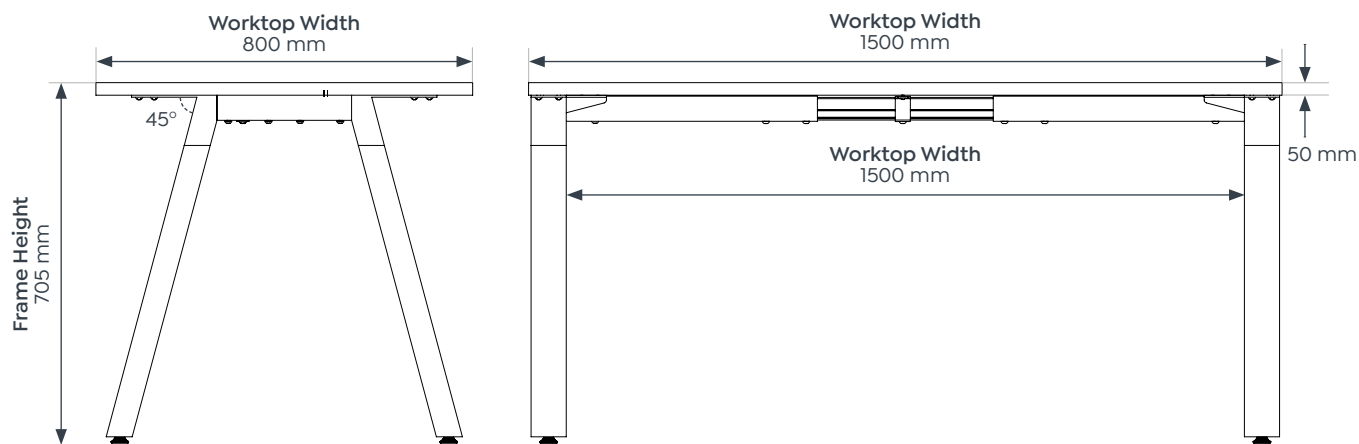
Screen Colour Options



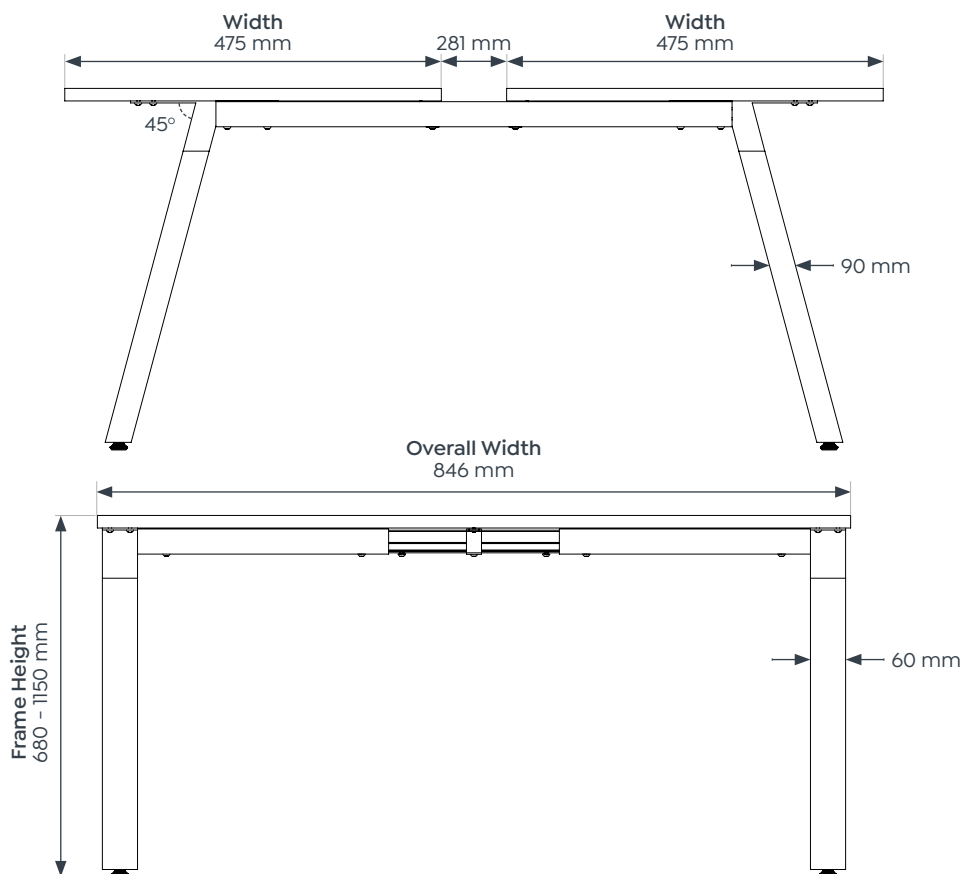
Plantation Desking Range.

Dimensions

Plantation Single Sided Desking



Plantation Double Sided Desking



Dimensions

Plantation 90° - 120° Desking

