



# Balance Range.

The Balance Seating Range offers functional design and comfort. Featuring robust Task, refined Executive, and versatile Visitor and Cantilever chairs, it's perfect for Office, Education, and Healthcare settings. Experience ergonomic design and everyday functionality with sleek mesh and all-day comfort.



## Features

Solid, cast aluminium synchro mechanism with multi-fulcrum support

Simple, precise weight specific tilt action

Push/pull sliding seat depth adjustment with five positions

Black nylon base and black powdercoated mechanism

Available in Breathe black fabric/ black mesh



Balance Project



Balance Task



Balance Executive



Balance Visitor

## Colour Options



### Balance Project

Seat H	445 - 525 mm
Seat W	480 mm
Seat D	485 mm
Back W	480 mm
Overall H	990 - 1070 mm
Overall W	710 mm
Overall D	710 mm
Armrest H	623 - 780 mm

### Balance Task

Seat H	430 - 530 mm
Seat W	505 mm
Seat D	510 mm
Back W	425 mm
Overall H	945 - 1045 mm
Overall W	720 mm
Overall D	700 mm
Armrest H	605 - 785 mm

### Balance Executive

Seat H	445 - 465 mm
Seat W	480 mm
Seat D	480 mm
Back W	530 mm
Overall H	990 - 1100 mm
Overall W	725 mm
Overall D	700 mm
Armrest H	620 - 770 mm

### Balance Visitor

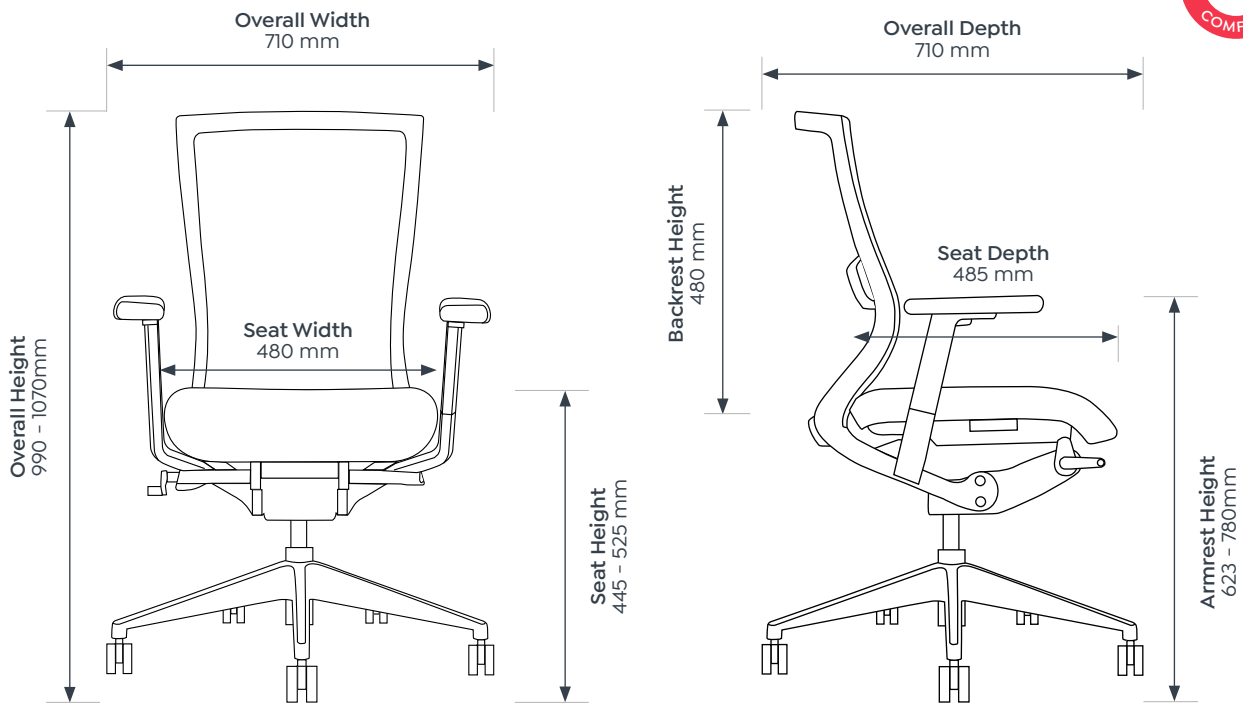
Seat H	440 mm
Seat W	450 mm
Seat D	445 mm
Overall H	840 mm
Overall W	560 mm
Overall D	650 mm
Armrest H	640 mm



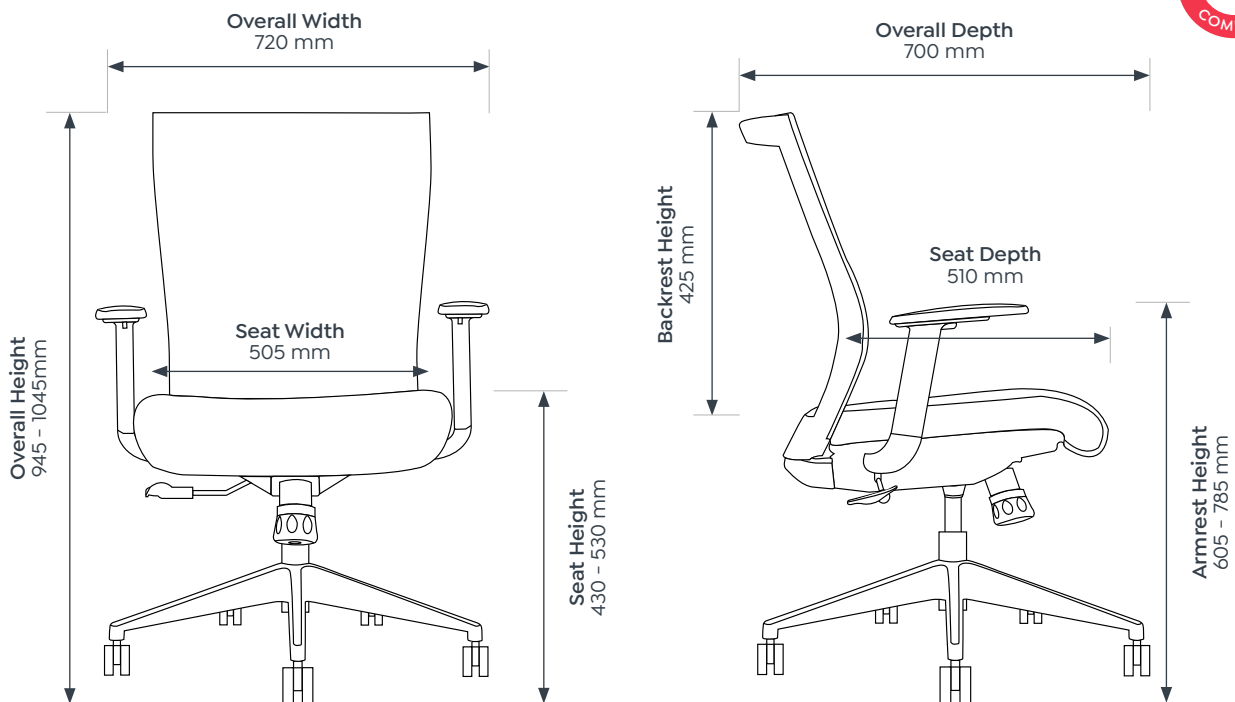
# Balance Range.

## Dimensions

### Balance Project

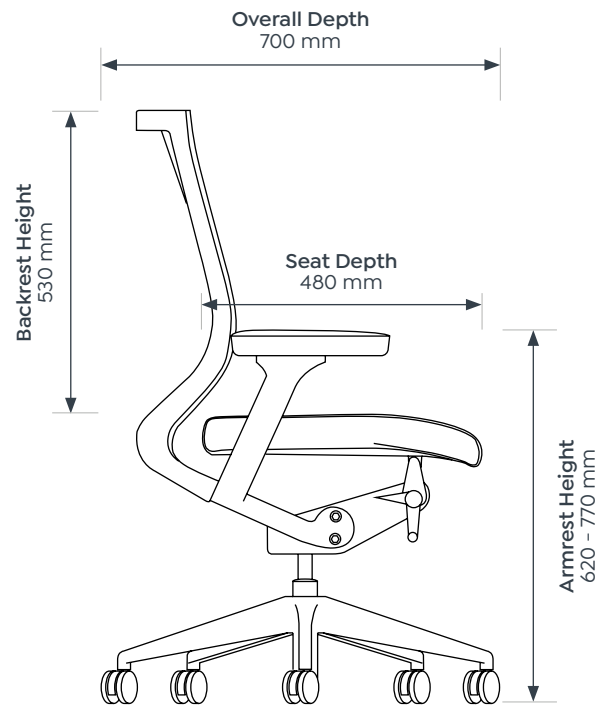
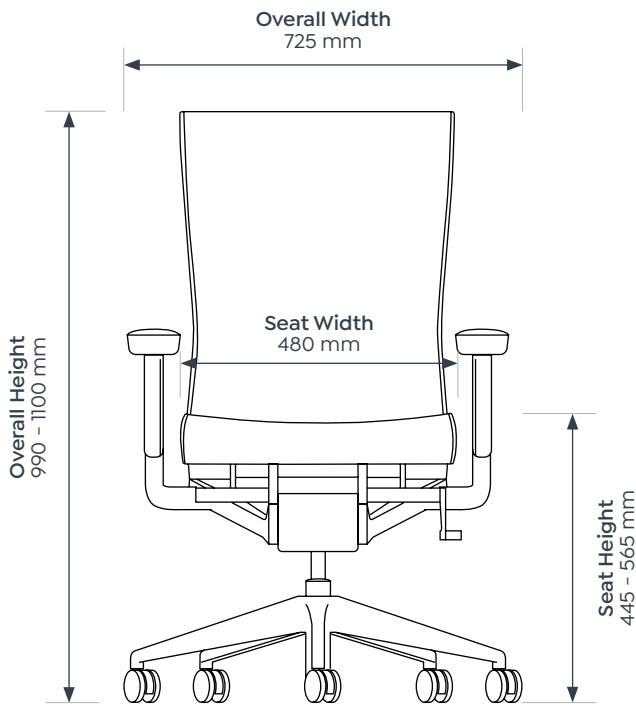


### Balance Task



## Dimensions

### Balance Executive



### Balance Visitor

