

OLG

Zipp Chair.

Product **Specifications**



Innovative Thinking • Responsive Support • Open Communication

myolg.online

Zipp Chair.

Introducing the Zipp Chair, a thoughtfully crafted casual seat designed for extended comfort in your conference, training, or lunchroom spaces.

More than just a budget-conscious breakout chair, the Zipp boasts a best-in-class 10-year warranty, a dynamically fan-shaped backrest, Breathe upholstery and a luxuriously contoured seat. Built with strength and durability in mind, the Zipp Chair sits on a fully welded, powder-coated frame that is UV, rust, and corrosion resistant. When combined with the moulded polypropylene shell, the Zipp Chair easily handles weights of up to 140kgs. For that extra touch of class and comfort during long sessions, the Zipp can also be upgraded to include armrests on either side. Assembled in under 5 minutes and stackable up to 9 high, there's no time or space wasted when deploying or packing away.

The Zipp truly is an "everything" chair - functional, versatile and stylish in any modern office setting.

Key Features



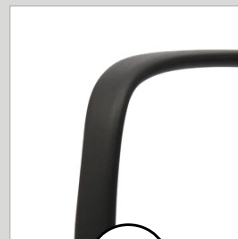
A. Unique Shape

Distinctive, fan shaped back – shaped to provide ergonomic comfort.



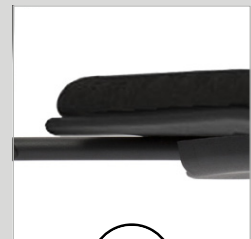
B. Quick Assembly

5 Minute to assemble with minimal tools. Just a few screws to deal with.



C. Armrests Upgrade

Upgrade to a Zipp chair with armrests providing additional comfort for longer meetings.



D. Padded Comfort

Backrest and seat is upholstered in padded Breathe fabric for additional comfort.

Zipp Chair.

In Detail



Powdercoat Finish

Black powdercoat provides protection from corrosion, rust, UV and is easy to clean.



Outstanding Comfort

Ergonomic design guarantees a 4+ hour comfort rating.



Versatile

Suitable for conference, training or lunchroom environments.



Strong & Durable

Fully welded metal, rigid frame and hi-strength components provides a 140kg weight rating.



Warranty

10 year warranty is the best in it's class giving you peace of mind.

Comfort

Upholstered in high quality padded black Breathe fabric for ultimate comfort.

Versatile

Works equally as well as a conference, training or lunchroom chair.

Quick Assembly

5 Minute to assemble with minimal tools. Just a few screws to deal with.

Armrest Version

Upgrade to a Zipp chair with armrests providing additional comfort for longer meetings.

Strength

Fully welded metal, rigid frame and polypropylene back & seat shell provides 140kg weight rating.

Powdercoat Frame

Provides protection against wear, UV, rust and erosion.

10 Year Warranty
Best in it's class.

4+ hour
comfort rated.

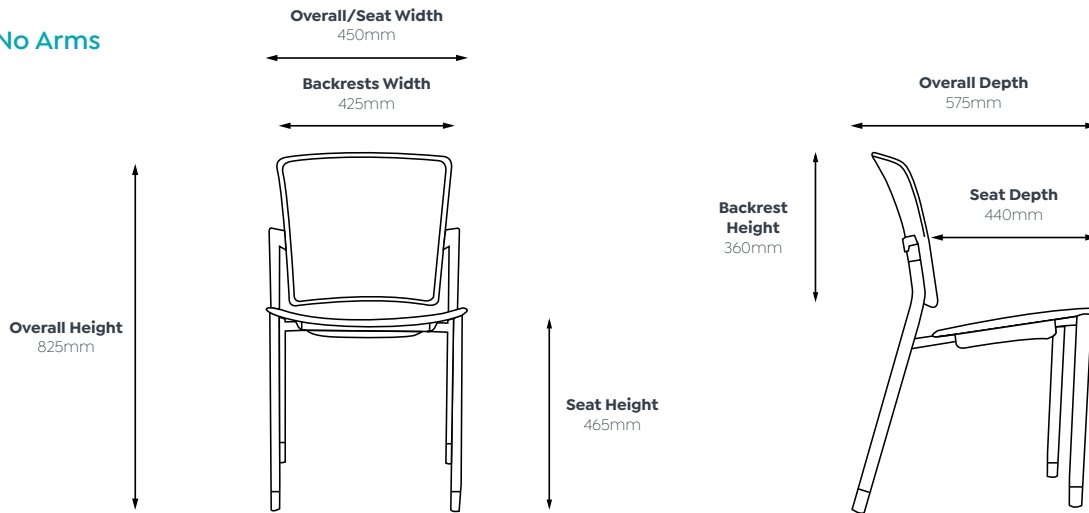


* Refer to page 5 for Ratings & Certifications details.

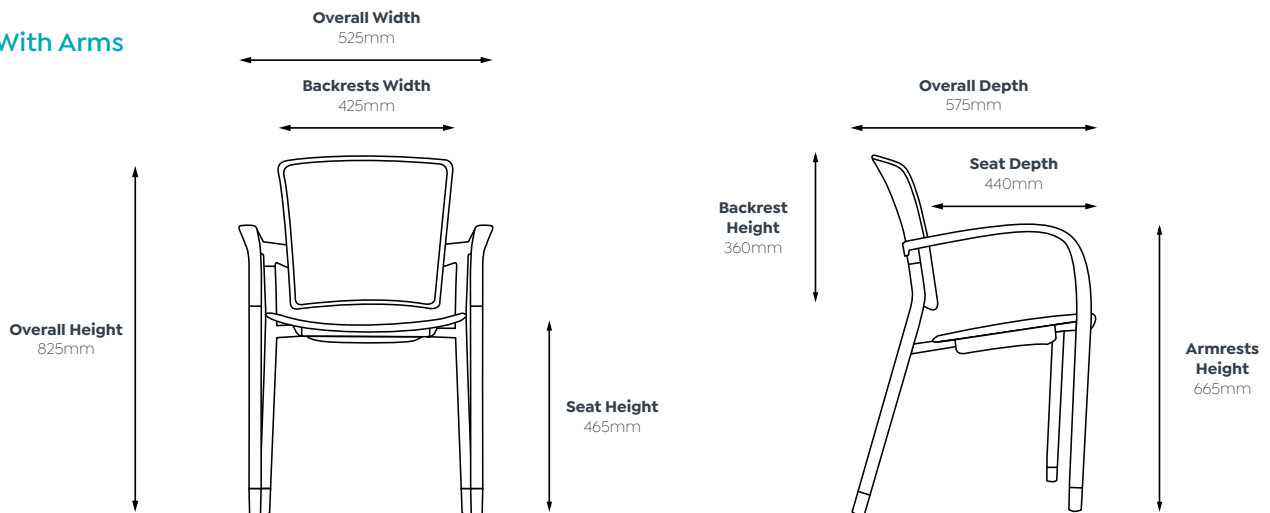
Zipp Chair.

Dimension Specifications

No Arms



With Arms



OLG's Ratings & Certifications.



10 Year Warranty

OLG Warranty promises the original purchaser that it will repair or replace with comparable product, at its option and free of charge (for material and components), any product, part or component which fails under normal use over the duration of the specified warranty term (taken from the date of purchase). Normal commercial usage is defined as the equivalent of a single shift, 40 hour work-week.



Weight Rating

All seating products have an OLG endorsed 120kg minimum weight rating. All OLG seating products are designed with reference to relevant international standards, including ANSI/BIFMA and AS/NZS. These standards stipulate strength & durability requirements and give the user confidence about the product's longevity. OLG's ISO certified factories use propriety test rigs to issue OLG's own weight ratings for chairs.



ISO 14001

ISO 14001 Certification is the international standard that specifies requirements for an effective Environmental Management System (EMS). It provides a framework that OLG as an organization can follow. At OLG we are using this framework as an approach to continuous improvement across all environmental aspects of our business.



ISO 9001

ISO 9001 Certification is the world's most widely recognized Quality Management System (QMS). At OLG its our guiding principle to meet the expectations and needs of our customers through quality management systems that continually monitor and manage quality across all operations to deliver consistent performance and service.



AS/NZS 4801

AS/NZS 4801 is the benchmark to assess Occupational Health & Safety Management systems for organisations. This standard contains vital information about meeting legal requirements and invaluable guidance on how to establish sustained improvement in health and safety performance in your business.



GECA Certification

GECA (The Good Environmental Choice Australia) Ecolabelling Program, operates a national third-party, independently verified ecolabel, in conformance with Environmental labels and declarations (ISO 14024), that can be applied to a wide range of products and services. This certification gives you an independent, reliable and convenient way to select OLG products and services that are certified by GECA to deliver better environmental outcomes. Anvil and Axis (available to GECA specification by special request). EkoSystem approved as EKO Brand.



AFRDI Certification

AFRDI Certification is a set of standards covering strength, durability, stability and safety (and ergonomics in the case of desks and workstations). This means that OLG are accountable for maintaining the quality of our products, submitting them for regular auditing to ensure they meet the highest standards for commercial use. Applies to: Urban Mesh (Level 6 – Severe Commercial), Modulus Flip Table (Level 3 – Severe Commercial, tested with 1500 x 750 top and Agile+ Single Sided Dual Motor Electric Desk).



BIFMA Certification

BIFMA Certification focuses on safety and performance standards developed by the BIFMA Engineering Committee. The standards provide manufacturers, specifiers, and users with a common basis for evaluating safety, durability, and the structural adequacy of the specified furniture, independent of construction materials. The standards define specific tests, laboratory equipment to be used, the conditions of test, and the minimum acceptance levels to be used in evaluating these products. Applies to: Balance Executive, Balance Task, Optic Chair, Adapta Chair, Game Chair 4 leg, Game Chair 4 leg with seat and back pads, Game Sled, Game Sled with seat and back pads, Agile+, Agile Electric 2-Column single motor, Motion Sync



Australian Trusted Trader

Australian Trusted Trader Certification is a standard that rewards companies showing compliant behaviour, secure supply chain with strong security practices, to enjoy a wide range of trade facilitation benefits. OLG have held this status since 2017.



FSC

FSC is the leading catalyst and defining force for improved forest management and market transformation, shifting the global forest trend toward sustainable use, conservation, restoration, and respect for all. Applies to: Plantation timber legs



GREENGUARD Certification

A GREENGUARD Certification ensures that a product has met some of the world's most rigorous and comprehensive standards for low emissions of volatile organic compounds (VOCs) into indoor air. GREENGUARD Gold Certification offers certification criteria that considers safety factors to account for sensitive individuals (such as children and the elderly), and ensures that a product is acceptable for use in environments such as schools and healthcare facilities.

Zipp Chair.

Cheat Sheet Quick Guide

Standard Features

Distinctive, fan shaped back – shaped to provide ergonomic comfort.

Black powdercoat frame provides protection from corrosion, rust, UV and is easy to clean.

5 Minute to assemble with minimal tools. Just a few screws to deal with.

Upgrade to a Zipp chair with armrests providing additional comfort for longer meetings.

Backrest and seat is upholstered in padded Breathe fabric for extra comfort.

140kg weight rating

10 year warranty

Suitable as a conference or training chair, or in lunch and breakout zone areas

Dimensions - No Arms

Seat Height 465 mm

Seat Width 450 mm

Seat Depth 440 mm

Back Height 360 mm

Overall Width 450 mm

Overall Height 825 mm

Dimensions - With Arms

Armrests Height 665 mm

Seat Height 465 mm

Seat Width 450 mm

Seat Depth 440 mm

Back Height 360 mm

Overall Width 525 mm

Overall Height 825 mm

Powdercoated Frame Colour



Black

Breathe Fabric Colour



Black

Zipp Variants



Zipp
no arms



Zipp
with arms



Zipp seating with Uniflip tables and Game barstools.



Zipp seating, (with arms).

Additional Options.

Storage



Axis Mobile Drawers
Two Box Drawers + One File Drawer - Gang Locking



Axis Mobile Drawers
Four Box Drawers Gang Locking



Axis Caddy Mobile Bookcase
2 x Adjustable Shelves



Axis Caddy Mobile Bookcase
1 x Drawer Insert
Left or Right Handed Configuration



Axis Caddy Mobile
2 x Drawer Insert



Axis Caddy Mobile Bookcase
1 x Tambour Insert
Left or Right Handed Configuration



Axis Caddy Mobile Bookcase
1 x Tambour Insert
1 x Drawer Insert
Left or Right Handed Configuration



Axis Caddy Mobile
2 x Tambour Insert



Agile Steel Caddy L/H
Metal caddy unit with tambour and 3 drawers. Available in 2 Powdercoats



Agile Steel Caddy R/H
Metal caddy unit with tambour and 3 drawers. Available in 2 Powdercoats



Agile Regular Steel Mobile
Metal mobile drawer unit with 2 drawers and 1 file. Available in 2 Powdercoats



Agile Narrow Steel Mobile
Metal mobile drawer unit with 2 drawers and 1 file. Available in 2 Powdercoats



Axis Credenza 1200 Two Levels
2 x 25 mm adjustable shelves



Axis Credenza 1800 Two Levels
1 x 18 mm adjustable shelves
4x hinged locking doors



Axis Bookshelf Three Levels
2 x 25 mm adjustable shelves



Axis Bookshelf Five Levels
3 x 25 mm adjustable shelves
1 x fixed shelf



Axis Cupboard Locking Three Levels
2 x 18mm adjustable shelves



Axis Cupboard Locking Five Levels
3 x 18 mm adjustable shelves
1 x fixed shelf



Axis Tower Bookcase
2 x Adjustable Shelves



Axis Tower Bookcase
1 x Drawer Insert

Accessories



Monitor Arms
Axis / Studio50 Brackets



Cable Management
Above Desk / Below Desk



Modesties
Melamine / Metal



Laptop Riser
Available in Black



Deskmount Shelves
Studio White
243 high x 600 wide x 300 deep

Additional Options.

Desking



QuickStand Desk
Height Adjustable
Single Sided Desk



Agile Fixed
Single Sided Desk



Agile Fixed
90° Workspace



Agile Fixed
Desk with Return



Agile Fixed
2 User 90° Workspace



Agile Winder
Height Adjustable
2 User Double Sided Desk



Agile Winder
Height Adjustable
Single Sided Desk



Agile Electric 2 Column
Height Adjustable
Single Sided Desk



Agile Electric 2 Column
Height Adjustable
90° Workspace



Agile Electric 2 Column
Height Adjustable
2 User 90° Workspace



Agile+ Electric 3 Column
Height Adjustable
Single Sided Desk



Agile+ Electric 3 Column
Height Adjustable
90° Workspace



Agile+ Electric 3 Column
Height Adjustable
120° Workspace



Agile+ Electric 3 Column
Height Adjustable
2 User Double Sided Desk



Agile+ Electric 3 Column
Height Adjustable
Triple 120° Workstation



Agile+ Round Legs 3C
Electric Height Adjustable
Single Sided Desk



Agile+ Round Legs 3C
Electric Height Adjustable
Single Sided Desk



Agile+ Round Legs 3C
Electric Height Adjustable
Single Sided Desk



Agile+ Round Legs 3C
Electric Height Adjustable
Single Sided Desk



Agile+ Round Legs 3C
Electric Height Adjustable
Triple 120° Workstation



Anvil
Single Sided Desk
with Studio50 Screen



Anvil
Single Sided
90° Workspace



Anvil
2 User Double Sided
90° Workspace



Anvil
2 User Single Sided Desk
with Studio50 Screen



Axis
Single Sided Desk
with Modesty



Axis
Single Sided Desk
with Return



Axis
2 User Single Sided Desk
with Studio50 Screen



EkoSystem
Single Sided Desk



EkoSystem
Single Sided Desk with Return



EkoSystem
90° Workstation



How can we be of help?

02 8188 2732

info@olgoffice.com

myolg.online

olgoffice.com

officedesigner.net

motionoffice.com

officefitoutcalculator.com.au

myolgpricelist.online

acoustiq.com.au

Innovative Thinking • Responsive Support • Open Communication