

Proflex Single Monitor Arm.

Product **Specifications**



Innovative Thinking • Responsive Support • Open Communication

myolg.online

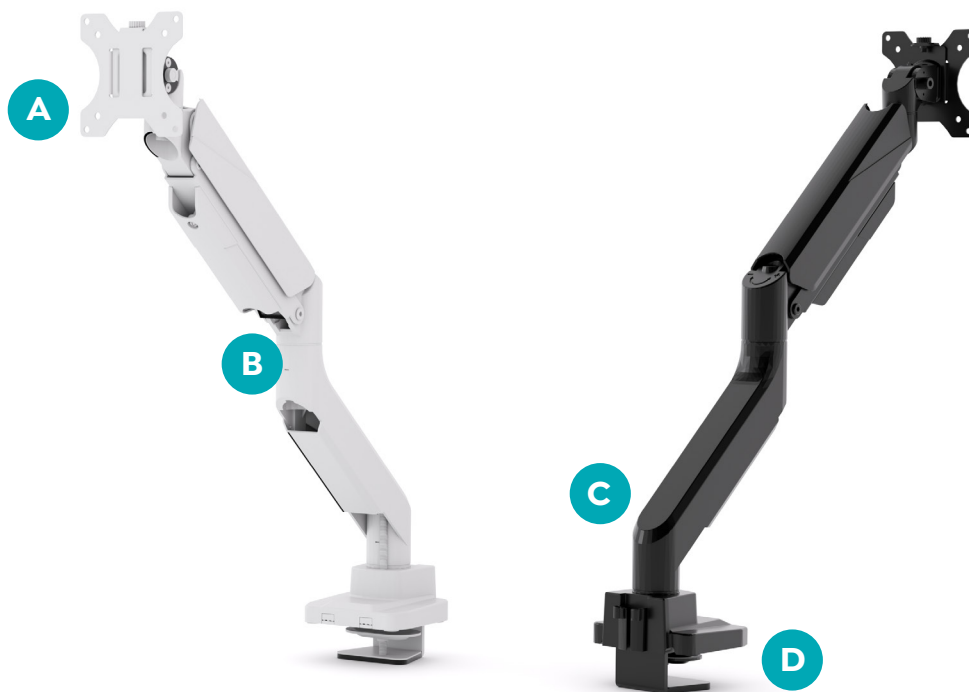
Proflex Single Monitor Arm.

Strong, versatile and built to last, the ProFlex Single Monitor Arm is the ultimate solution for a clutter-free and ergonomic workspace.

With an impressive best-in-class 10-year warranty, 1-18kg weight rating and compatible with monitors up to 49", it's the perfect companion for a variety of workspace configurations. You can effortlessly tilt, swivel, and rotate your screen to find the optimal ergonomic angle that suits your needs. The wide range of flexible motion allows you to tilt your monitor from +45° to -45°, swivel a full 180° with a lock feature for stability, and even rotate a full 360° for seamless transitions between portrait and landscape orientations.

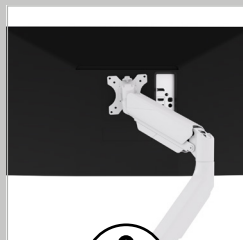
Crafted from your choice of black or white powder-coated aluminium and steel and articulated in modern polymer covers, the ProFlex Single Monitor Arm exudes both style and durability. Easily and quickly installed onto new or existing workstations, the strong top fix clamp provides excellent stability without damaging the underlying worktop.

Key Features



A. VESA Mount

Standardized 'VESA' screw-hole positions to ensure multiple device compatibility.



B. Wide Range Stability

Weight rating from 1 - 18kg's to complement monitors and screens from 17 inches up to 49 inches.



C. 360° Rotation with 180° Locking

Flexible arm range from +45° to -45° tilt, 180° swivel with lock and 360° rotation.



D. Quick Install

Sturdy top-fix clamp makes installation easy and provides excellent grip on a variety of desired worktops.

Proflex Single Monitor Arm.

In Detail



Cable Management

Integrated cable management allows the user to conceal cables inside arm for a more organised and tidy workspace.



Stylish Design

Slick, contemporary design to complement any modern office environment.



Warranty

10 year warranty is the best in it's class giving you extra peace of mind.



Strong and Rugged

Powdercoated aluminum with hard polymer plastic covers provides additional strength and durability.

Ergonomic Positions

Multi-adjustable plate includes tilting, swiveling to desired screen rotation for optimal ergonomic positions.

Cable Management

Integrated cable management through the arm for an organised and neat workspace.

Strong & Durable

Black powdercoat with black plastic cover or White powdercoat with white plastic cover with weight rating of up to 1 - 18kg's.

**VESA
Mount Plate**
(Video Electronics
Standards
Association)
Standard.

**10 Year
Warranty**
Best in it's
class.

Fully Adjustable

Exceptional range of flexible motion featuring +45° to -45° tilt, 180° swivel with lock and 360° rotation.

Easy Install with Sturdy Desk Clamp

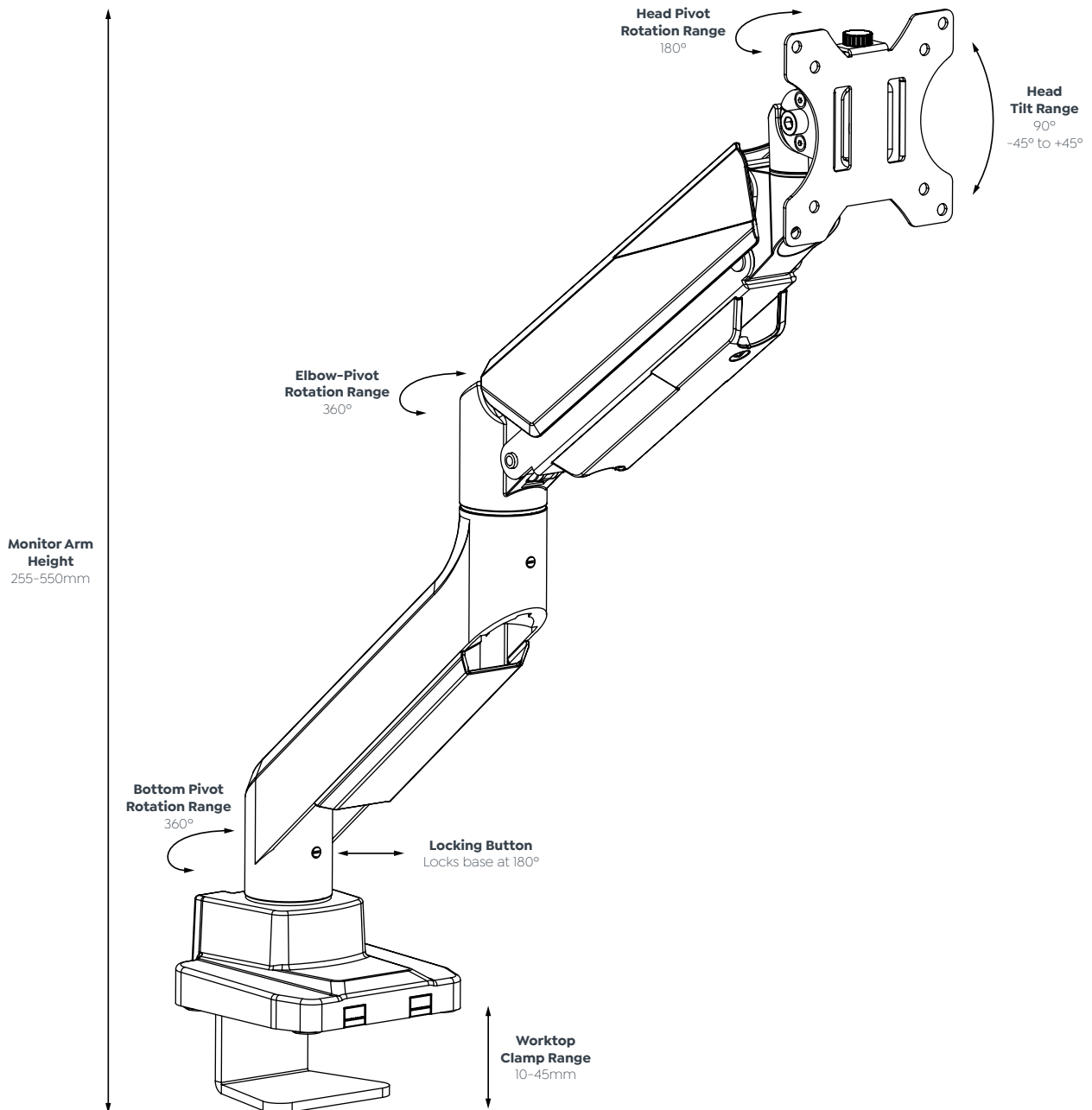
Strong top fix clamp provides excellent support and is simple to install onto a variety of worktops.



* Refer to page 5 for Ratings & Certifications details.

Proflex Single Monitor Arm.

Dimension Specifications



OLG's Ratings & Certifications.



10 Year Warranty

OLG Warranty promises the original purchaser that it will repair or replace with comparable product, at its option and free of charge (for material and components), any product, part or component which fails under normal use over the duration of the specified warranty term (taken from the date of purchase). Normal commercial usage is defined as the equivalent of a single shift, 40 hour work-week.



Weight Rating

All seating products have an OLG endorsed 120kg minimum weight rating. All OLG seating products are designed with reference to relevant international standards, including ANSI/BIFMA and AS/NZS. These standards stipulate strength & durability requirements and give the user confidence about the product's longevity. OLG's ISO certified factories use propriety test rigs to issue OLG's own weight ratings for chairs.



ISO 14001

ISO 14001 Certification is the international standard that specifies requirements for an effective Environmental Management System (EMS). It provides a framework that OLG as an organization can follow. At OLG we are using this framework as an approach to continuous improvement across all environmental aspects of our business.



ISO 9001

ISO 9001 Certification is the world's most widely recognized Quality Management System (QMS). At OLG its our guiding principle to meet the expectations and needs of our customers through quality management systems that continually monitor and manage quality across all operations to deliver consistent performance and service.



AS/NZS 4801

AS/NZS 4801 is the benchmark to assess Occupational Health & Safety Management systems for organisations. This standard contains vital information about meeting legal requirements and invaluable guidance on how to establish sustained improvement in health and safety performance in your business.



GECA Certification

GECA (The Good Environmental Choice Australia) Ecolabelling Program, operates a national third-party, independently verified ecolabel, in conformance with Environmental labels and declarations (ISO 14024), that can be applied to a wide range of products and services. This certification gives you an independent, reliable and convenient way to select OLG products and services that are certified by GECA to deliver better environmental outcomes. Anvil and Axis (available to GECA specification by special request). EkoSystem approved as EKO Brand.



AFRDI Certification

AFRDI Certification is a set of standards covering strength, durability, stability and safety (and ergonomics in the case of desks and workstations). This means that OLG are accountable for maintaining the quality of our products, submitting them for regular auditing to ensure they meet the highest standards for commercial use. Applies to: Urban Mesh (Level 6 – Severe Commercial), Modulus Flip Table (Level 3 – Severe Commercial, tested with 1500 x 750 top and Agile+ Single Sided Dual Motor Electric Desk).



BIFMA Certification

BIFMA Certification focuses on safety and performance standards developed by the BIFMA Engineering Committee. The standards provide manufacturers, specifiers, and users with a common basis for evaluating safety, durability, and the structural adequacy of the specified furniture, independent of construction materials. The standards define specific tests, laboratory equipment to be used, the conditions of test, and the minimum acceptance levels to be used in evaluating these products. Applies to: Balance Executive, Balance Task, Optic Chair, Adapta Chair, Game Chair 4 leg, Game Chair 4 leg with seat and back pads, Game Sled, Game Sled with seat and back pads, Agile+, Agile Electric 2-Column single motor, Motion Sync



Australian Trusted Trader

Australian Trusted Trader Certification is a standard that rewards companies showing compliant behaviour, secure supply chain with strong security practices, to enjoy a wide range of trade facilitation benefits. OLG have held this status since 2017.



FSC

FSC is the leading catalyst and defining force for improved forest management and market transformation, shifting the global forest trend toward sustainable use, conservation, restoration, and respect for all. Applies to: Plantation timber legs



GREENGUARD Certification

A GREENGUARD Certification ensures that a product has met some of the world's most rigorous and comprehensive standards for low emissions of volatile organic compounds (VOCs) into indoor air. GREENGUARD Gold Certification offers certification criteria that considers safety factors to account for sensitive individuals (such as children and the elderly), and ensures that a product is acceptable for use in environments such as schools and healthcare facilities.

Proflex Single Monitor Arm.

Cheat Sheet Quick Guide

Standard Features

VESA mounting plate to suit multiple devices and brands

Black powdercoat with hard polymer black plastic cover or white powdercoat with hard polymer white plastic cover

1 - 18kg weight rating suitable for 17"- 49" monitors

Fully adjustable with 90° tilt, 360° rotation with 180° lock

Strong top fix clamp for easy install

Integrated cable management

Slick, contemporary design complements any modern office or home office environment

10 year warranty

Frame Colour Options



Black



White





Proflex Single Monitor Arm in white powdercoat and white plastic cover.



How can we be of help?
02 8188 2732

info@olgooffice.com

myolg.online
olgooffice.com
officedesigner.net
motionoffice.com
officefitoutcalculator.com.au
myolgpricelist.online
acoustiq.com.au