

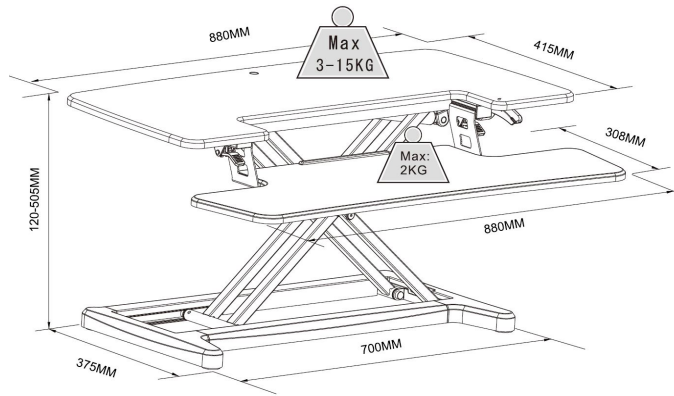


Desk Riser

Product Data Specification

Desk Riser

Product Data Specification



Standard Features

Saves valuable space on your desktop

Stable for raising and lowering

Flexible Height adjustment

Removable keyboard tray

Gas spring hovering system

Alcove Design

Dimensions

Worksurface size: 880 x 415 mm
Keyboard Tray Size: 880 x 308 mm
Height range: 120 - 505 mm

Material

Black plastic and steel

