



ANVIL

Bench Desking System

CONTENTS



4
ANVIL RECEPTIONS



6
ANVIL EXECUTIVE



12
ANVIL BENCH - UPHOLSTERED



16
ANVIL BENCH - STUDIO



8

ANVIL STORAGE



10

ANVIL BENCH - ORIGINAL



18

ANVIL BENCH



20

ANVIL WORKSTATIONS





ANVIL Receptions



Anvil Reception featuring Axis Tambour with Planter Box and Axis Coffee Table.



ANVIL Executive Office



Anvil Desk and Return, Mode Highback and Mode Cantilever seating with Axis Credenza/Bookcase Wallunit combination for storage.



ANVIL Storage



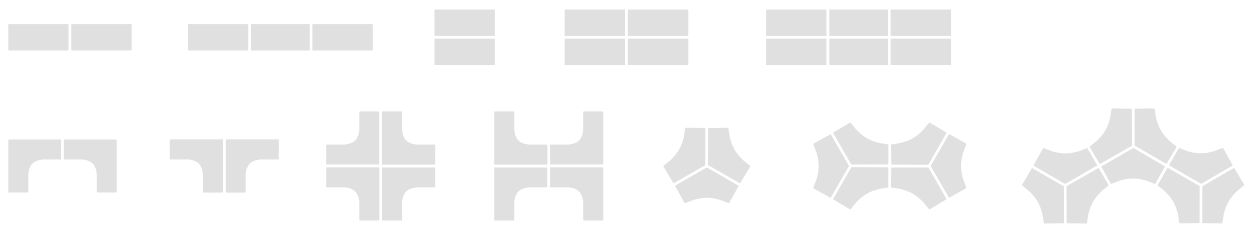
Anvil 6 Pod Desks with Split Screens, Anvil 90° Workstation and Anvil Single Desk combined with Axis Cupboards, Bookcase, Storage Towers, Desk Mounted Shelving and featuring Balance Executive and Adapta seating.



The Original ANVIL Bench



POSSIBLE CONFIGURATIONS



Screen options:

- Red e-panel Insert
- Charcoal e-panel Insert
- Fluted Translucent Insert

Anvil 6 Pod Desks, Split Screens with Charcoal E-Panel Inserts, Urban Mesh seating, Axis Mobiles, Dual Monitor Arms.



ANVIL Bench Upholstered



Screen options:

- Breathe Fabric
- Splice Fabric
- Customers Own Covering

Anvil 4 Pod Desks, Screens in Breathe Camel, Urban Mesh seating and featuring the MotionOffice Shell and Loop.



ANVIL Bench e-panel



Anvil Double-Sided-Desks, Clamp-on E-Panel Marker Screens, Axis Storage Caddies with Toppa Pads, 900mm high Tambour with Planter Box.



ANVIL Bench Studio50



Screen options:

- Breathe Fabric
- Splice Fabric
- Customers Own Covering

Anvil Double Sided Desks - Open Plan with Low Profile Studio50 Screens, Studio50 Workpods, Studio50 Standup Hotdesks and Axis Storage.



ANVIL Bench No Screens



Anvil Double Sided Desk with Deskmount Shelves, Metropolis seating, Modulus Flip with Modesty, Modulus Coffee Tables and Studio50 Freestanding Screens.



ANVIL Workstations

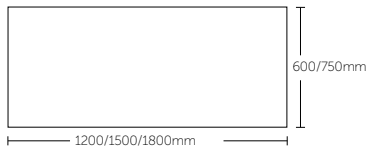


Anvil 90° Workstations, Split Screens with Charcoal/Ignite E-Panel Inserts, Axis Credenzas and Desk Mounted Shelving.

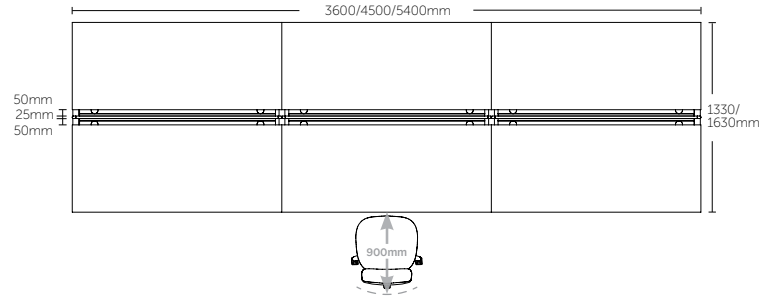
ANVIL System

Size Guide

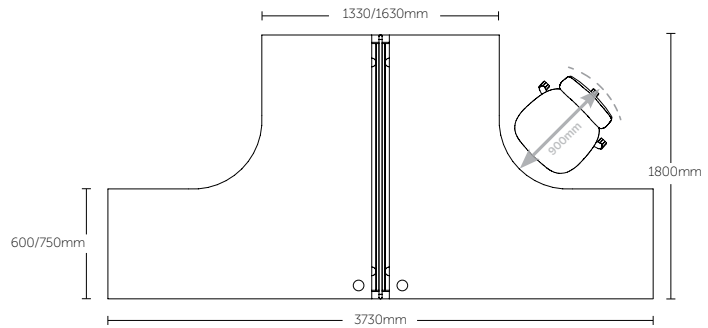
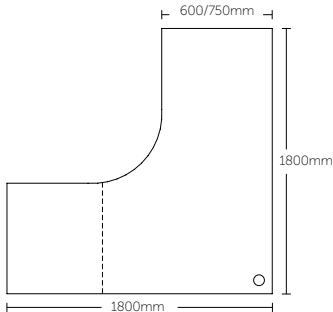
Single Desks



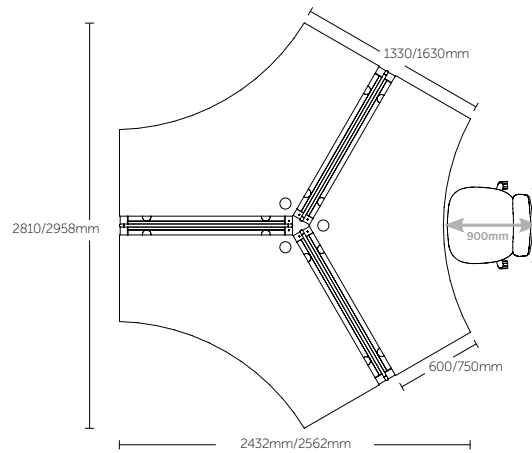
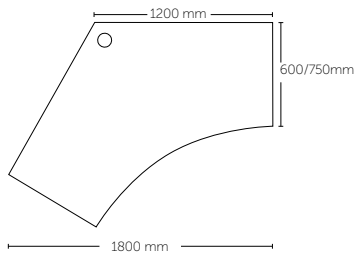
Double Sided Desks:



90° Workstations

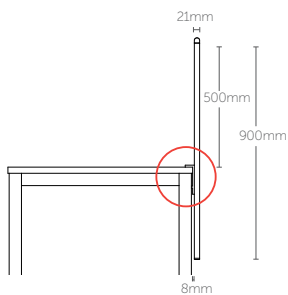


120° Workstations



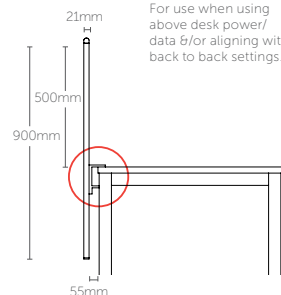
Desk Hung Screens

Standard Bracket

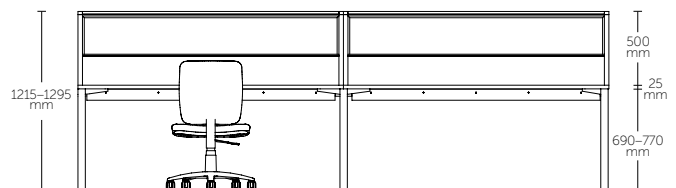


Offset Bracket

For use when using above desk power/data b/or aligning with back to back settings.



Desk Mounted Screens



ANVIL System

Product Guide

Frames:

- 50mm x 50mm x 50mm triangle frame
- 50mm x 25mm rails
- 80mm height adjustment in each foot
- Powdercoat finish
- Work surface height 715mm

Powdercoat finishes available in:

Arctic White Gloss

Black Matt*

*Black Matt Powdercoat finish is not available for 90° and 120° workstation layouts

Work Surfaces:

- 25mm E1 grade substrate
- Melamine finish
- Matching 2mm ABS edge
- 90° two piece work surface with a joint at 1200mm along the left or right hand side

Melamine finishes available in:

Studio White

Axis Split Screens:

- Translucent panel or E-panel insert to the top 300mm
- Studio White Melamine below
- Pinnable core (E-panel insert only)
- 21mm thickness
- Sits 500mm above desk height
- All brackets & trims included

Axis Split Screen inserts available in:

Translucent

Ignite E-panel

Charcoal - E-panel

Breathe Screens:

- Breathe fabric all over
- Solid non-pinnable core
- 21mm thickness
- 500mm above desk height
- All brackets & trims included

Breathe fabric available in:

Navy

Steel Blue

Royal Blue

Sky Blue

Baby Blue

Fern Green

Lime Green

Plum

Ruby Red

Tomato Red

Bright Orange

Burnt Orange

Black

Slate Grey


Alloy Grey

Camel

Power/Data:

Trays and plates are included with all workstations with screens. This includes:

- Solid metal segregated cable management trays
- Desktop level power & service mounting
- Service plate Fits quad GPO & data bezels
- Comseal brush covers included with all back-to-back layouts
- **EXCLUDES:** Elsafe/CMS cables and sockets

 This icon indicates cable management is excluded. See page 202 for cable management options.

 This icon indicates cable management mounts is included.

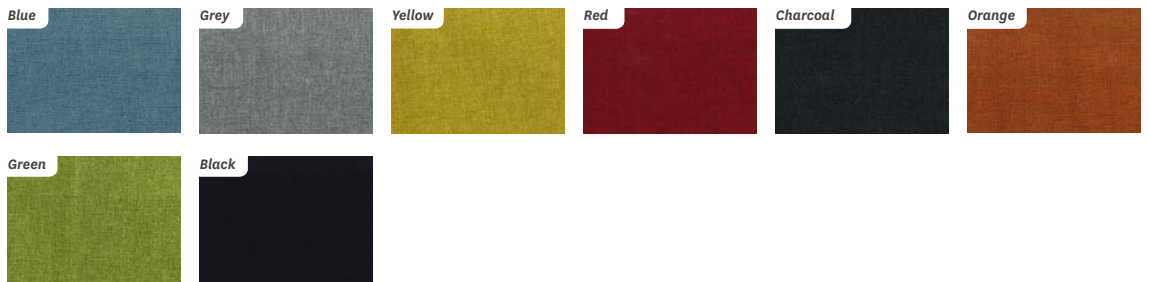


Seating & Screen Fabric Options

Breathe



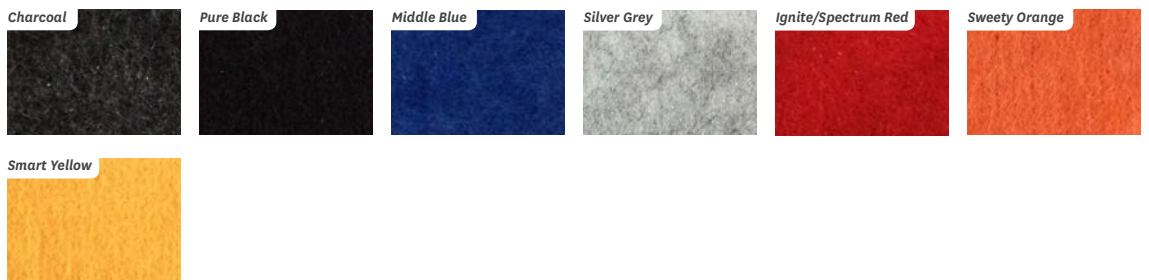
Splice



Motion Felt



E-Panel



Office Seating Solutions



Balance Project
Black Fabric
Breathe Cover



Balance Executive
Black/White PU
Breathe Cover



Balance Task
Black Fabric



Balance Visitor
Black Fabric



Balance Cantilever
Black Fabric



Mode Highback
Black or White PU



Mode Midback
Black or White PU



Mode Guest
Black or White PU



Mode Cantilever
Black or White PU



Metro Highback
Black or White PU



Metro Midback
Black or White PU



Metro Guest
Black or White PU



Metro Cantilever
Black or White PU



Urban Mesh
Breathe Black
Motion Felt Cover



Motion Sync
Breathe Black
Motion Felt Cover



Optic
Black Fabric



Scroll
Black Mesh



Scroll
Grey Mesh



Adapta
Black Fabric



Ozone
Black Fabric



Game Chair
4 Leg



Game Chair
Sled Base



Game Barstool



Luna Chair
Castor Base



Luna Chair
Oak Base



Luna Barstool
Oak Base



Metropol 1
Black PU



Metropol 2
Black PU



Jazz 1
Black Fabric



Jazz 2
Black Fabric



Free
Motion Felt



Otto
Motion Felt



Cookie
Breathe Fabric

Office Desking Solutions

Agile Desking



Axis Desking



Anvil Desking



Aero Desking



Modulus Desking



Screens



Office Tables & Storage Solutions

Team Tables



3 Leg



4 Leg
Small



4 Leg
Large



6 Leg

Uni Flip Tables



Uni Flip

Modulus Tables



Flip
White frame available



5 Star



4 Star



4 Post



Fixed Leg



Collar Leg
Single Span - Single Post



Collar Leg
Double Span - Twin post

Axis Tables



Coffee Table



Meeting Table
Small



Meeting Table
Large



Bar Leaner
Single Span



Bar Leaner
Double Span

Anvil Bar Leaner



Bar Leaner

Trestle Tables



Bar Leaner
Single Span

Personal Storage



Axis Shelf
Desk Mounted



Mobile
Locking



Caddy
Locking



Toppa Pad
Breathe Upholstery



Towers
Locking



Filing
Locking

Shared Storage



Bookcase



Cupboards
Locking



Credenza
Locking



Lockers
Locking



Tambour
Locking



Planter Box

Receptions



Axis



Axis with Pop Top



Anvil

Activity Based Solutions

motionoffice®

Individual



Shell
1 & 2 Person



Zip
1, 2, 3, 4, 5 & 6 Person



Wave
2, 4 & 6 Person



Wedge
Fits Shell & Zip



Link
Freestanding



Link
Wall Mounted

Collaborative



Team



Meeting



Ring



Disc
Shown with Infill



Arc



Arc Low
3, 4 & 5



Arc Mid
3, 4 & 5



Arc High
3, 4 & 5



Arc Worksurface
Applies to 1100mm high only



Grandstand
2 Tier & 3 Tier (Straight & 90°)



Expo

Activity Based Solutions

motionoffice®

Flexible



Wing
1 & 2 Person



Fin
1 & 2 Person



Cape
1 & 2 Person



Canopy



Loop
Straight, Curved 60°



Loop with Backrest
Straight, Curved - 60° Outer / 60° Inner / 90° Outer



Otto



Coffee Table
Straight, Curved



Tablet Table



Round Table
730 or 1050mm high

Seating



Luna Chair
Castor Base, Oak Base



Luna Barstool
Oak Base



Motion Sync
Nylon Base, Optional Arms



Free
Alloy Base



PLAN, DESIGN & BUY



Register NOW

officedesigner.net



360°

ENTER OUR VIRTUAL SHOWROOM

myolg.online/vrshowroom



GET THE OLG VIRTUAL SHOWROOM EXPERIENCE
Contact your account manager to discuss further.





OLG

info@olgoffice.com

SYDNEY	02 8188 2732
MELBOURNE	03 9111 0315
BRISBANE	07 3733 1923
ADELAIDE	08 7111 0810
PERTH	08 9468 2707